

# MZ100/FZ70 316 Stainless steel pump



## FIELD OF APPLICATION

It is a very versatile pump with **good power (3:1) and flow rate up to 41 l/min** (water). It is suitable for **viscous fluids (60/70.000 cP)**. It is suitable for different uses and is one of the most popular. It is constructed in **AISI 316 Stainless steel**, and is therefore suitable for pumping **food and cosmetic products**. It is also often used in the chemical industry for moderately acidic or alkaline aggressive viscous products or for glues and adhesives, because it is easy to disassembly and clean.

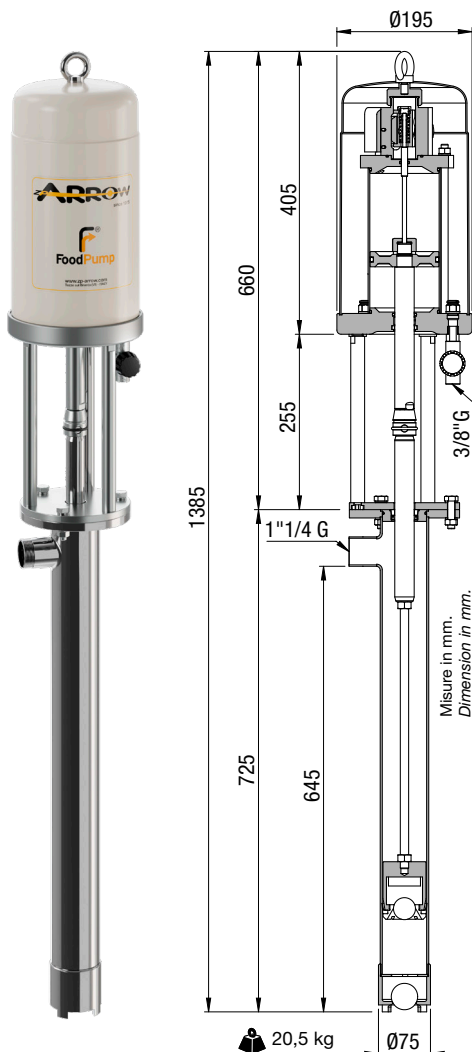
## FEATURES OF THE MZ/FZ Food SERIES PUMPS

They are **pumps based on a new design**, created to be quickly disassembled. The functional concept is based on an alternating piston with ball check valves, the **flow and head are adjustable**, they are designed for **viscous food products and cosmetic fluids** or **other viscous fluids** compatible with the steel used to construct the pumps.

The part in contact with the product is made entirely in **AISI 316 Stainless steel**, the **FDA gasket seals** are made in **NBR or FKM, UHMWPE, or PTFE**. The **gasket seal on the shaft does not require adjustment**, and is efficient with any viscosity and pressure, and also is long-lasting. These pumps do not require any special maintenance, are sturdy, and reliable, **easy to disassemble for periodical cleaning or for sanitizing the single components**. The complete range can be supplied with **ATEX Zone 1 certification** for the motor section and **ATEX Zone 0** for the pump immersed in liquid. This therefore makes them **suitable for use in potentially explosive atmospheres**.

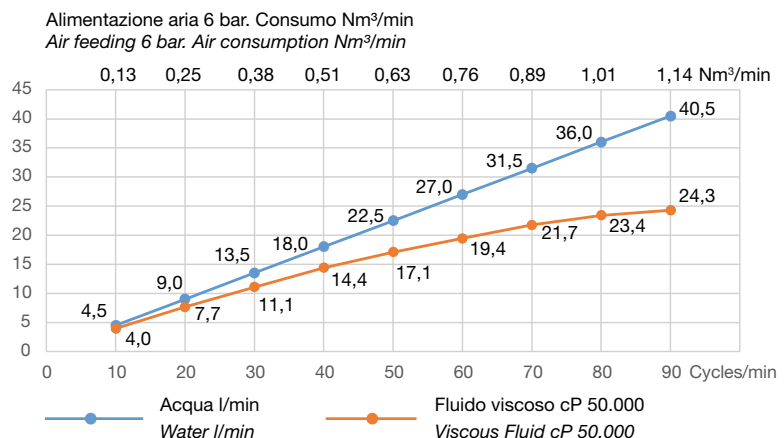
They are used by immersing the pumping piston in the fluid, or also outside of the product container. For the latter use, we can supply **Stainless steel fittings and flexible hoses** to connect the suction and the outlet. We can supply a **transport trolley, or a cushioned support for wall mounting**.

For efficient and safe use, we recommend our **pneumatic elevator on wheels or fixed on the ground**.



## TECHNICAL DATA

Maximum cycles/minute	90 cycles/min
Air consumption at 90 cycles/min	1,14 Nm <sup>3</sup> /min - Power supply 6 bar (87 psi)
Delivery at 90 cycles/min	41 liters/min (Free flowing water)
Delivery per cycle	0,45 liters per Cycle (Free flowing water)
Ambient air temperature	0 °C at + 40 °C
Maximum fluid temperature	+ 85 °C
Fluid outlet	1"1/4 G (UNI ISO 228-1)
Compression ratio	3:1
Air inlet	3/8" G
Air pressure	up to 7 bar (100 psi)
Pump components	316 Stainless steel with parts in PTFE, UHMWPE, FKM, NBR FDA



Z.P. ARROW s.r.l. via Giolitti 15 - 36056  
Tezze sul Brenta (VI) Italia  
www.zp-arrow.com - arrow@zp-arrow.com

